



A W O R L D O F P O W E R



LINEA ALTERNATORI
PER GRUPPI ELETTOGENI
PORTATILI E TRAINABILI

PORTABLE
AND MOBILE GEN-SETS
ALTERNATORS LINE



Caratteristiche elettriche

Riferite a temperatura ambiente $<40^{\circ}\text{C}$,
altitudine $< 1000\text{ m s.l.m.}$, servizio continuo S1, $\text{cos}\phi=1$ per
gli alternatori monofasi,
 $\text{cos}\phi=0.8$ per gli alternatori trifasi.

Precisione di tensione:
per gli alternatori monofasi (eccetto R80) $\pm 6\%$
per gli alternatori trifasi $\pm 5\%$

Bassa distorsione armonica

Cuscinetti a doppio schermo, lubrificati a vita

Norme di riferimento:
EN 60034-1 (IEC 34.1) • EN 60204-1 • EN 292-1
EN 292-2 • EN 55011 • EN 50081-1 • EN 50082-1
altre su richiesta.

Per le saldatrici: EN 60974-1 • EN 50199

Protezione: secondo le norme EN 60034-5 (IEC 34.5)
ed EN 60529 (IEC 529).

Conformi alle direttive vigenti in materia di sicurezza
e compatibilità elettromagnetica: CEE 73/23 • CEE 98/37
CEE 89/336.

Electrical characteristics

*Referred to following conditions:
environmental temperature $<40^{\circ}\text{C}$,
height $< 1000\text{ m a.s.l.}$, continuous duty S1,
 $\text{cos}\phi=1$ for single phase alternators,
 $\text{cos}\phi=0.8$ for three-phase alternators.*

*Voltage accuracy:
for single phase alternators (except R80) $\pm 6\%$
for three-phase alternators $\pm 5\%$*

Low harmonic distortion

Bearings: double screen, life lubricated

*Standards:
EN 60034-1 (IEC 34.1) • EN 60204-1 • EN 292-1
EN 292-2 • EN 55011 • EN 50081-1 • EN 50082-1
others on request.*

For welders: EN 60974-1 • EN 50199

*Protection: according to EN 60034-5 (IEC 34.5)
and EN 60529 (IEC 529).
According to the security and EMC requirements
of the ECC directives: EEC 73/23 • EEC 98/37 • EEC 89/336.*



Alternatori sincroni trifasi
a 2 poli autoregolati
con spazzole.
Protezione: IP 21, su richiesta IP 23
Tensione standard: 231/400 V - 50 Hz
Per fase rinforzata: 400 V trifase - 230 V monofase
Corrente di cortocircuito superiore a 3.5 In
Forme costruttive: IM B34 - B3/B14, IM B35
B3/B9, IM B35 - J609b, SAE 5-6 1/2, SAE 5-7 1/2

Three-phase synchronous
self-regulated brushes
2 poles alternators.
Protection: IP 21, on request IP 23
Standard voltage: 231/400 V - 50 Hz
For reinforced phase: 400 V three-phase - 230 V mono-phase
Short circuit current greater than 3.5 In
Shape: IM B34 - B3/B14, IM B35
B3/B9, IM B35 - J609b, SAE 5-6 1/2, SAE 5-7 1/2



Caratteristiche tecniche / Technical characteristics

| Tipo Type | Codice Code | 50 Hz - 3000 r.p.m. | | 60 Hz - 3600 r.p.m. | | Massa Mass kg | Dimensioni di ingombro - Overall dimensions | | | | | | | | | |
|--------------|----------------|-------------------------|------------------------|-------------------------|------------------------|---------------------|---|-----|-----|-----|-----|----------------|-----|-----|-----|-----|
| | | Potenza Power kVA | n 4/4 cosφ=0,8 % | Potenza Power kVA | n 4/4 cosφ=0,8 % | | IM B34 • IM B35 c.23 - c.30 | | | | | IM B35 - J609b | | | | |
| | | | | | | | A | A' | B | C | D | A1 | A1' | B1 | C1 | D1 |
| ET 2 MAS | 81301072..2 | 4.0 | 73 | 5.0 | 73.5 | 25.1 | 358 | 365 | 69 | 315 | 283 | 374 | 381 | 85 | 331 | 283 |
| ET 2 MBS | 81301095..2 | 5.5 | 75 | 6.9 | 76 | 28.3 | 358 | 365 | 69 | 315 | 283 | 374 | 381 | 85 | 331 | 283 |
| ET 2 MCS | 81301125..2 | 7.0 | 78 | 9.0 | 79 | 32.3 | 358 | 365 | 69 | 315 | 283 | 374 | 381 | 85 | 331 | 283 |
| ET 2 LAS | 81301150..2 | 8.5 | 81 | 10.5 | 82 | 36.8 | 413 | 420 | 124 | 370 | 338 | 429 | 436 | 140 | 386 | 338 |
| ET 2 LBS | 81301180..2 | 10.0 | 83 | 13.0 | 84 | 41.2 | 413 | 420 | 124 | 370 | 338 | 429 | 436 | 140 | 386 | 338 |
| ET 2 MAF | 81301072..203 | 4.0 (3~) 2.2 (1~) | 75 | 5.0 (3~) 2.7 (1~) | 75 | 25.1 | 358 | 365 | 69 | 315 | 283 | 374 | 381 | 85 | 331 | 283 |
| ET 2 MBF | 81301095..203 | 5.5 (3~) 3.2 (1~) | 77 | 6.9 (3~) 4.0 (1~) | 78 | 28.3 | 358 | 365 | 69 | 315 | 283 | 374 | 381 | 85 | 331 | 283 |
| ET 2 MCF | 81301125..203 | 7.0 (3~) 4.0 (1~) | 89 | 9.0 (3~) 5.2 (1~) | 81 | 32.5 | 358 | 365 | 69 | 315 | 283 | 374 | 381 | 85 | 331 | 283 |
| ET 2 LAF | 81301150..203 | 8.5 (3~) 5.0 (1~) | 83 | 10.5 (3~) 6.3 (1~) | 84 | 36.8 | 413 | 420 | 124 | 370 | 338 | 429 | 436 | 140 | 386 | 338 |
| ET 2 LBF | 81301180..203 | 10.0 (3~) 6.0 (1~) | 85 | 13.0 (3~) 7.5 (1~) | 86 | 41.2 | 413 | 420 | 124 | 370 | 338 | 429 | 436 | 140 | 386 | 338 |

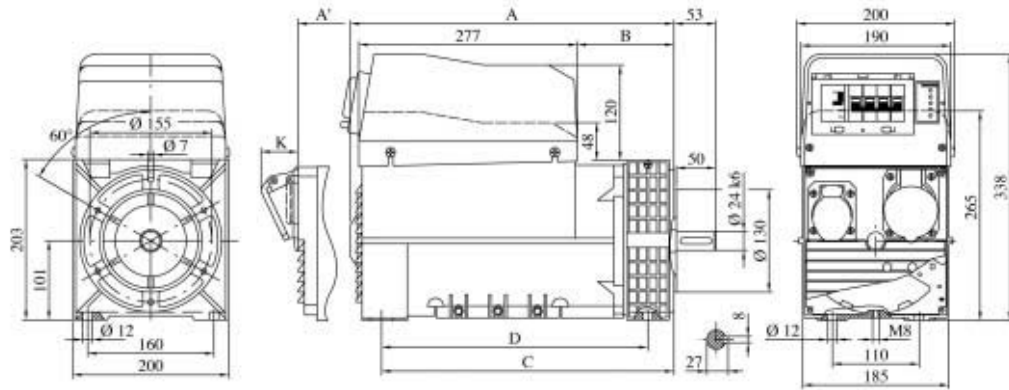


Alternatori sincroni trifasi
a 2 poli con spazzole
e regolazione elettronica della tensione (AVR).
Protezione: IP 21, su richiesta IP 23
Tensione standard: 231/400 V - 50 Hz
Precisione di tensione: ±2%
Forme costruttive: IM B34 - B3/B14, IM B35
B3/B9, IM B35 - J609b, SAE 5-6 1/2, SAE 5-7 1/2

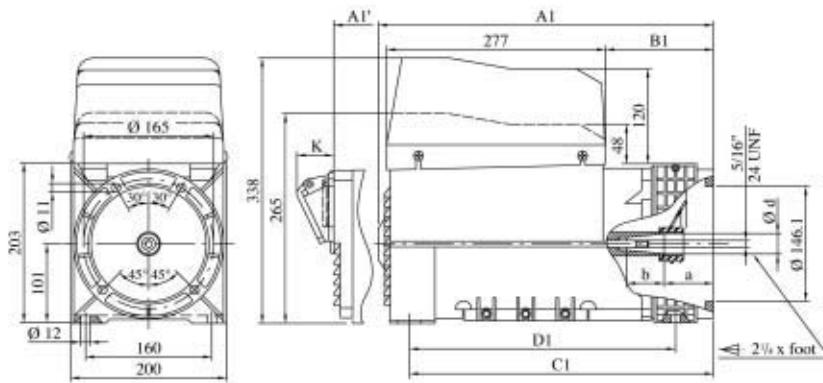
Three-phase brushes synchronous
2 poles alternators
with electronic voltage regulation (AVR).
Protection: IP 21, on request IP 23
Standard voltage: 231/400 V - 50 Hz
Voltage accuracy: ±2%
Shape: IM B34 - B3/B14, IM B35
B3/B9, IM B35 - J609b, SAE 5-6 1/2, SAE 5-7 1/2

Caratteristiche tecniche / Technical characteristics

| Tipo Type | Codice Code | 50 Hz - 3000 r.p.m. | | 60 Hz - 3600 r.p.m. | | Massa Mass kg | Dimensioni di ingombro - Overall dimensions | | | | | | | | | |
|--------------|----------------|-------------------------|------------------------|-------------------------|------------------------|---------------------|---|-----|-----|-----|-----|----------------|-----|-----|-----|-----|
| | | Potenza Power kVA | n 4/4 cosφ=0,8 % | Potenza Power kVA | n 4/4 cosφ=0,8 % | | IM B34 • IM B35 c.23 - c.30 | | | | | IM B35 - J609b | | | | |
| | | | | | | | A | A' | B | C | D | A1 | A1' | B1 | C1 | D1 |
| ET 2 MAR | 85301072..2 | 4.0 | 73 | 5.0 | 73.5 | 22.1 | 358 | 365 | 69 | 315 | 283 | 374 | 381 | 85 | 331 | 283 |
| ET 2 MBR | 85301095..2 | 5.5 | 75 | 6.9 | 76 | 25.3 | 358 | 365 | 69 | 315 | 283 | 374 | 381 | 85 | 331 | 283 |
| ET 2 MCR | 85301125..2 | 7.0 | 78 | 9.0 | 79 | 29.3 | 358 | 365 | 69 | 315 | 283 | 374 | 381 | 85 | 331 | 283 |
| ET 2 LAR | 85301150..2 | 8.5 | 81 | 10.5 | 82 | 33.8 | 413 | 420 | 124 | 370 | 338 | 429 | 436 | 140 | 386 | 338 |
| ET 2 LBR | 85301180..2 | 10.0 | 83 | 13.0 | 84 | 38.2 | 413 | 420 | 124 | 370 | 338 | 429 | 436 | 140 | 386 | 338 |



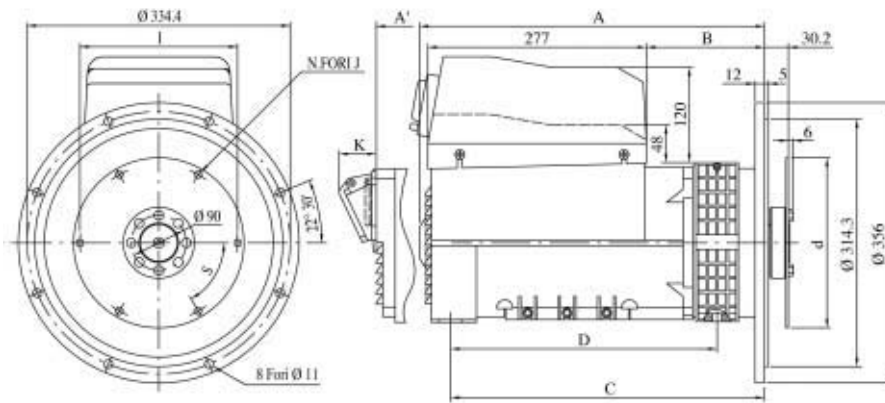
Forma costruttiva / Shape IM B34 - B3/B14 cod.E



| Cono/Cone | d | a | b | cod. |
|-----------|-------|------|------|------|
| 22,14 | 22,14 | 81 | 32 | D |
| 25,4 | 25,4 | 63,5 | 49,5 | D |
| 35 | 30 | 39 | 72 | F |

| | K |
|-------------------------------|----|
| Prese Schuko / Schuko sockets | 16 |
| Prese CEE / CEE sockets | 47 |

Forma costruttiva / Shape IM B35 - J609b cod.D/F

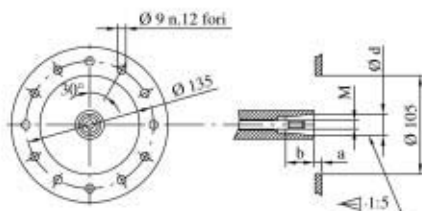


| SAE | Giunto a dischi Disk joint | | | | | |
|-----|-------------------------------|-------|-------|--------|---|-----|
| | L | d | I | N.FORI | J | S |
| 6.5 | 30.2 | 215.9 | 200 | 6 | 9 | 60° |
| 7.5 | 30.2 | 241.3 | 222.2 | 8 | 9 | 45° |

| Tipo Type | Da - From IMB35 C.30 | | | | |
|--------------|-------------------------|-----|-----|-----|-----|
| | A | A' | B | C | D |
| ET2M-- | 570 | 377 | 81 | 327 | 283 |
| ET2L-- | 425 | 432 | 136 | 382 | 338 |

| Tipo Type | Da - From IMB35 J609b C.35 | | | | |
|--------------|-------------------------------|-----|-----|-----|-----|
| | A | A' | B | C | D |
| ET2M-- | 386 | 393 | 97 | 343 | 283 |
| ET2L-- | 441 | 448 | 152 | 398 | 338 |

Forma costruttiva / Shape SAE 5 cod.5



| d | a | b | M | cod. |
|----|----|----|-----|------|
| 23 | 8 | 30 | M8 | A |
| 30 | 16 | 30 | M14 | B |

Forma costruttiva / Shape IM B35 - B3/B9 cod.A/B

